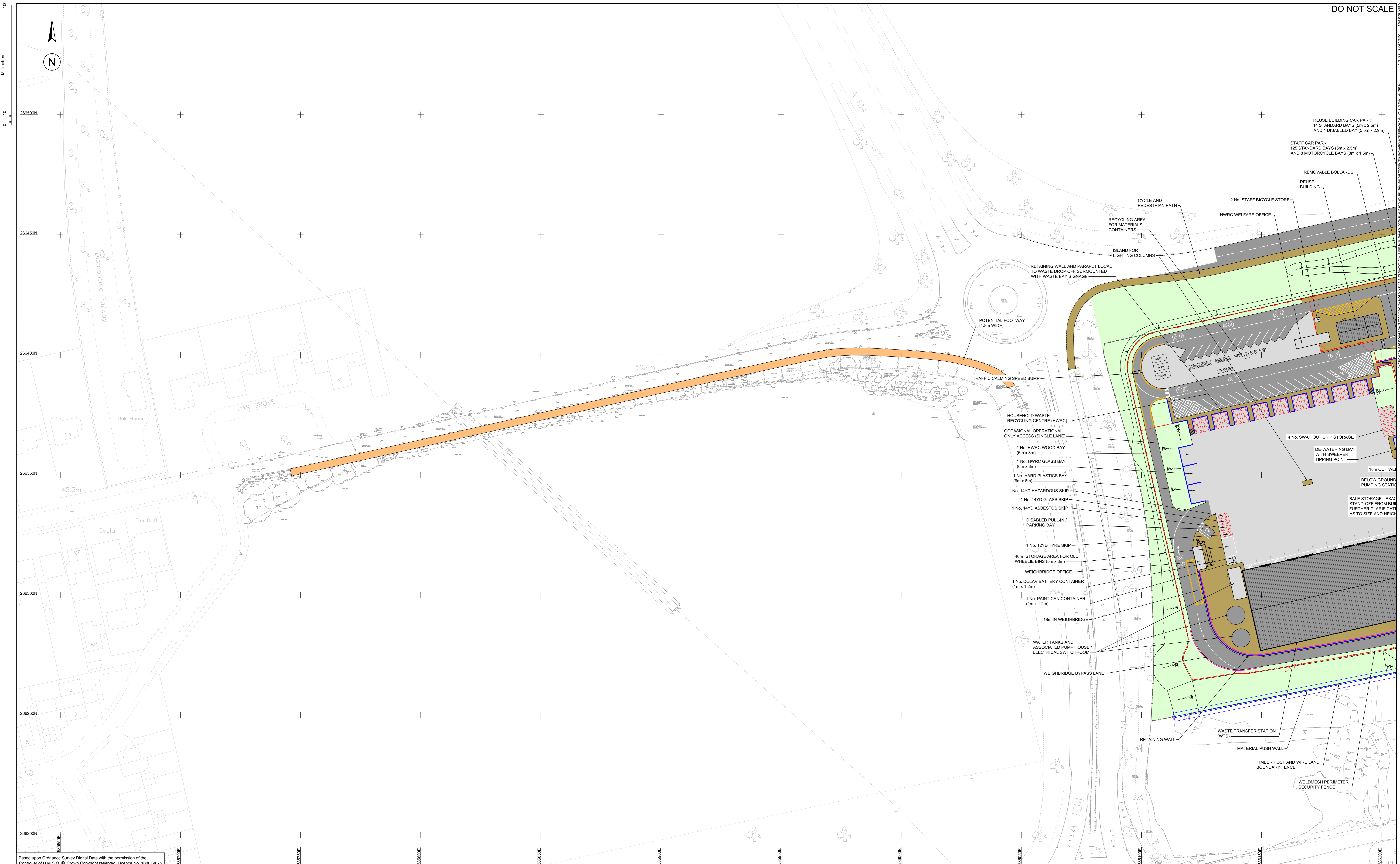


0 10 20 30 40 50 60 70 80 90 100
Millimetres

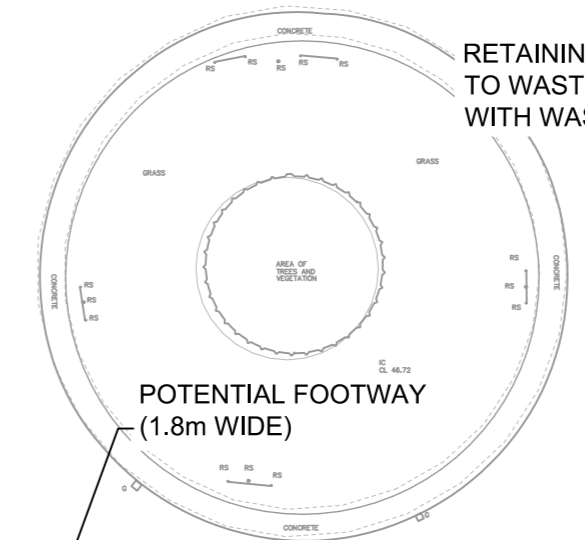


Based upon Ordnance Survey Digital Data with the permission of the Controller of H.M.S.O. © Crown Copyright reserved. Licence No. 100019675

KEY:

	PROPOSED BITUMINOUS CARRIAGEWAY		PROPOSED PEDESTRIAN CROSSING
	PROPOSED PERMEABLE PAVEMENT SURFACE		PROPOSED TRAFFIC CALMING SPEED BUMP
	PROPOSED BITUMINOUS FOOTWAY		PROPOSED DOUBLE YELLOW ROAD MARKINGS
	PROPOSED REINFORCED CONCRETE YARD		PROPOSED SAFE PEDESTRIAN ROUTES
	PROPOSED LANDSCAPE		PROPOSED PEDESTRIAN HANDRAIL
	PROPOSED EMBANKMENT MARKER		POTENTIAL 1.8m WIDE PEDESTRIAN PATH
	PROPOSED WELD MESH SECURITY FENCE		
	PROPOSED TIMBER POST AND WIRE FENCE		
	PROPOSED REINFORCED CONCRETE RETAINING WALL		

- HOUSEHOLD WASTE RECYCLING CENTRE (HWRC) OCCASIONAL OPERATIONAL ONLY ACCESS (SINGLE LANE)
- 1 No. HWRC WOOD BAY (6m x 8m)
- 1 No. HWRC GLASS BAY (6m x 8m)
- 1 No. HARD PLASTICS BAY (6m x 8m)
- 1 No. 14YD HAZARDOUS SKIP
- 1 No. 14YD GLASS SKIP
- 1 No. 14YD ASBESTOS SKIP
- DISABLED PULL-IN / PARKING BAY
- 1 No. 12YD TYRE SKIP
- 40m² STORAGE AREA FOR OLD WHEELIE BINS (5m x 8m)
- WEIGHBRIDGE OFFICE
- 1 No. DOLAV BATTERY CONTAINER (1m x 1.2m)
- 1 No. PAINT CAN CONTAINER (1m x 1.2m)
- 18m IN WEIGHBRIDGE
- WATER TANKS AND ASSOCIATED PUMP HOUSE / ELECTRICAL SWITCHROOM
- WEIGHBRIDGE BYPASS LANE
- 18m OUT WEL
- BELOW GROUND PUMPING STATION
- BALE STORAGE - EXACT STAND-OFF FROM BUILDING FURTHER CLARIFICATION AS TO SIZE AND HEIGHT



<p>FOR INFORMATION</p> <p>ATKINS</p> <p>The Axis 10 Holiday Street Birmingham B1 1TF</p> <p>Tel: +44 (0)1214 835000 Fax: +44 (0)1214 835292 www.atkinsglobal.com</p> <p>Copyright © Atkins Limited (2017)</p>		<p>Subsidiary</p> <p>S2</p>	<p>Project Title</p> <p>WEST SUFFOLK OPERATIONS HUB</p>																								
<p>Client</p> <p>Suffolk County Council</p> <p>Forst Heath & St Edmundsbury councils</p>		<p>Drawing Title</p> <p>PROPOSED SITE LAYOUT SHEET 2 OF 2</p>																									
<table border="1"> <tr> <th>Rev.</th> <th>Date</th> <th>Description</th> <th>By</th> <th>Chk</th> <th>App'd</th> </tr> <tr> <td>P03</td> <td>01/03/17</td> <td>PUMPING STATION REMOVED</td> <td>JH</td> <td>JJ</td> <td>PB</td> </tr> <tr> <td>P02</td> <td>23/02/17</td> <td>FURROW WALL ADDED, NORTH SIDE RELOCATED, DISABLED BAY ADDED, GATES AND FENCING REVISED</td> <td>JH</td> <td>JJ</td> <td>PB</td> </tr> <tr> <td>P01</td> <td>09/03/17</td> <td>FIRST ISSUE FOR INFORMATION</td> <td>JH</td> <td>JJ</td> <td>PB</td> </tr> </table>	Rev.	Date	Description	By	Chk	App'd	P03	01/03/17	PUMPING STATION REMOVED	JH	JJ	PB	P02	23/02/17	FURROW WALL ADDED, NORTH SIDE RELOCATED, DISABLED BAY ADDED, GATES AND FENCING REVISED	JH	JJ	PB	P01	09/03/17	FIRST ISSUE FOR INFORMATION	JH	JJ	PB	<p>Scale</p> <p>1:500</p> <p>Original Title</p> <p>A0</p> <p>Date</p> <p>14/12/16</p>	<p>Designed</p> <p>JH</p> <p>Date</p> <p>14/12/16</p>	<p>Drawn</p> <p>JH</p> <p>Date</p> <p>13/01/17</p>
Rev.	Date	Description	By	Chk	App'd																						
P03	01/03/17	PUMPING STATION REMOVED	JH	JJ	PB																						
P02	23/02/17	FURROW WALL ADDED, NORTH SIDE RELOCATED, DISABLED BAY ADDED, GATES AND FENCING REVISED	JH	JJ	PB																						
P01	09/03/17	FIRST ISSUE FOR INFORMATION	JH	JJ	PB																						
<p>Authorised</p> <p>PB</p>		<p>Checked</p> <p>JJ</p>	<p>Date</p> <p>13/01/17</p>																								
<p>Drawing Number</p> <p>5121919-ATK-WSOH-PLA-DR-C-7003</p>		<p>Revision</p> <p>P03</p>																									